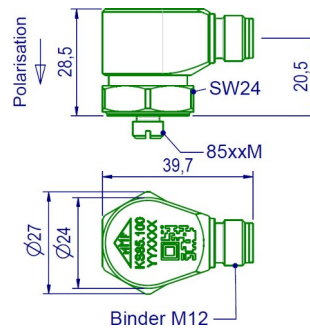


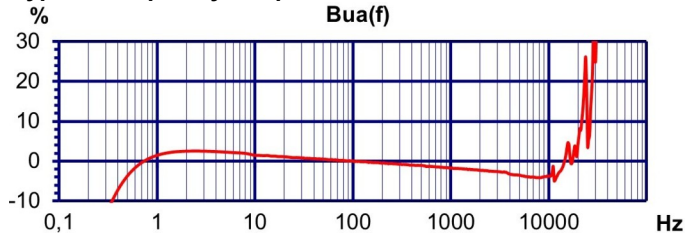
Properties

- Rugged industrial design with IP68
- Fully insulated case, double shielding for best EMI protection
- Sensor can be freely rotated 360° on the mounting base
- Mounting bases available with various mounting threads
- Includes electronic data sheet (TEDS; IEEE 1451.4; Template 25 w. DS2431)
- M12 connector for easy on-site installation, improved replacement for obsolete MIL-C-5015 connectors
- Wide frequency range (18kHz/3dB)
- Low temperature dependence
- Economic price

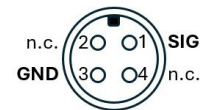


Piezo design	Shear design	
Output	IEPE	
Voltage sensitivity	10	mV/g
Sensitivity tolerance	5	%
Measurement range, pos./neg.	600	g
Destruction limit	5000	g
Transverse sensitivity	<5	%
Lower frequency limit (3 dB)	0,2	Hz
Upper frequency limit (3 dB)	18000	Hz
Lower frequency limit (10 %)	0,4	Hz
Upper frequency limit (10 %)	13000	Hz
Lower frequency limit (5 %)	0,5	Hz
Upper frequency limit (5 %)	10000	Hz
Resonant frequency	>32	kHz
Resonance amplitude	25	dB
Constant current supply	2 -16	mA
Bias voltage at 4 mA	12,5 – 14	V
Output impedance	<80	Ω
Residual noise; wide band; RMS	<1500 (0,5 - 20000 Hz)	μg
Noise density 1 Hz	300	μg/√Hz
Noise density 10 Hz	80	μg/√Hz
Noise density 100 Hz	12	μg/√Hz
Noise density 1000 Hz	8	μg/√Hz
Operating temperature range	-40 - 120	°C
Temperature response of sensitivity	see graph	
	±1 (-10 - 80 °C)	%
	+2/-6 (-40 - 120 °C)	%
Temperature transient sensitivity	0,002	m/s²/K
Magnetic field sensitivity	8	m/s²/T
Weight without cable	83	g
Case material	Stainless steel	
Connector direction	radial	
Connector	Binder 713	
Mounting	M8 male (8543M); 1/4"-28 male (8546M)	
Isolated mounting	yes (4 GΩ)	
IP code	IP68	

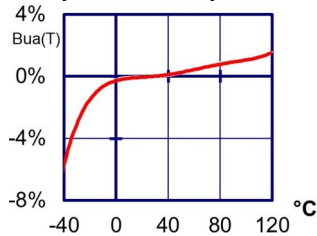
Typical Frequency Response



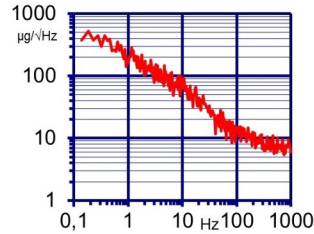
Contact Arrangement



Temperature Response



Noise Characteristics



Connection Accessories

- 080G: Plug Binder 713 (female) with screw terminals, IP67; straight
- 080W: Plug Binder 713 (female) with screw terminals, IP67; angled
- 085-B713G-PIG-5: IEPE cable; 5 m; Binder 713; straight; female. to pig tail; 80 °C; Ø5
- 085-B713W-PIG-5: IEPE cable; 5 m; Binder 713; angled; female to pig tail; 80 °C; Ø5
- 085-B713G-BNC-5: IEPE cable; 5 m; Binder 713; straight; female. to BNC; 80 °C; Ø5
- 085-B713W-BNC-5: IEPE cable; 5 m; Binder 713; angled; female. to BNC; 80 °C; Ø5

Mounting Accessories

- 8543M: Mounting base for KS85; M8 male
- 8543F: Mounting base for KS85; M8 female
- 8546M: Mounting base for KS85; 1/4"-28 male
- 8546F: Mounting base for KS85; 1/4"-28 female
- 8529: Adhesive pad for KS85
- 8508: Rare earth magnetic base for KS85; 120 °C
- 230: Triaxial mounting cube; M8; □34

Notice: This sensor is supplied with a list protocol showing its individually measured sensitivity.

Metra Meß- und Frequenztechnik Radebeul GmbH & Co. KG

Meißner Str. 58a

01445 Radebeul

Tel. +49 (0)351 836 2191

Internet: www.MMF.de

Email: Info@MMF.de

Fax: +49 (0)351 836 2940

03.26

